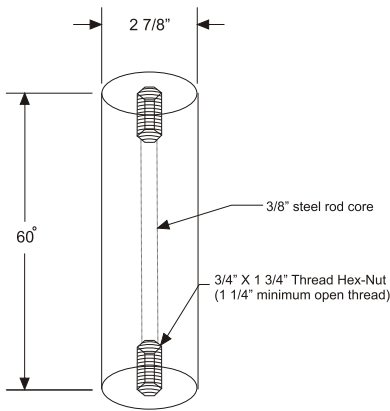




# Heater Treater Anodes

# Aluminium Anodes



Core Type
3/4" Threaded Rod
1/2" Eyebolt
3/4" Coupling

Special anode size available on request.

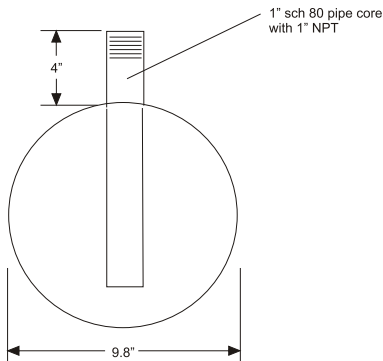
Anode Type	"L" Dimensions	Anode Weight
	(mm)	Kg
EPS-A 3" Dia. x 30	762	8.4
EPS-A 3" Dia. X 60	1524	16.8
EPS-A 3.625" Dia. x 60	1524	25.0

## EPS-A-HS-47

Bowling Ball

Anode supplied with 1" sch 80 Half Collar

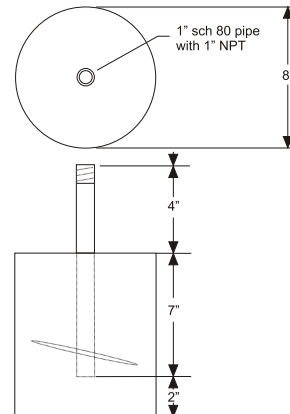
Anode Weight
Kg
21.3



## EPS-A-HFT-44

Anode supplied with 1" sch 80 Half Collar

Anode Weight
Kg
20



Corrosion Specialist

**ELECTRO PROTECTION SERVICES INDIA (P) LTD**  
(AN ISO 9001:2008 CERTIFIED COMPANY)

Plot No:6, Cauvery Street, Guruswamy Nagar Extn., Sembakkam, Chennai 600 073.  
Phone : 91 44 22780677 / 22781745, Fax : 91 44 22780688  
Email: sales@epsipl.com, Website : www.epsipl.com